



Dominator Pump, since 1981 Swedish manufacturer of Air Operated Double Diaphragm Pumps (AODD), is a World Wide Specialist for difficult and critical pump applications. Dominator pumps are not! developed for low technical requirements but just for the opposite, where traditional AODD pump manufactures cannot reach the high demands or even fail. Dominator pumps have already Proven to be very Reliable in 24/7 operation. Own designed (patented) quality parts and valves, Swedish workmanship and excellent after sales service, makes **Dominator AODD pumps most cost efficient!!**

P48-Series Stainless Steel Hygienic AODD Pump

General information

Max. capacity: 275 litres / min.

Discharge capacity can be adjusted from 0 - 100%

Max. pressure: 10 bars

Max. Air consumption: 2400 litres / min.

Air inlet connection: 1/2"

Air-valve type: Excentrical (patented)

Max. operating temperature: 85' Celsius

Max. Particle sizes: 12 mm

Dairy fluid connection: 51 mm according to SMS, DIN or Tri-clover

Principles: Self-priming and can be run dry

Pumpbody: Chem-nickled Aluminium

Easy clamp assemble & dissemble system

Cleaning: Sterilized by autoclave or "CIP" cleaned upto 130 'C

Special Design: Meets requirements of food and pharmaceutical industry

Weight: 32 Kg

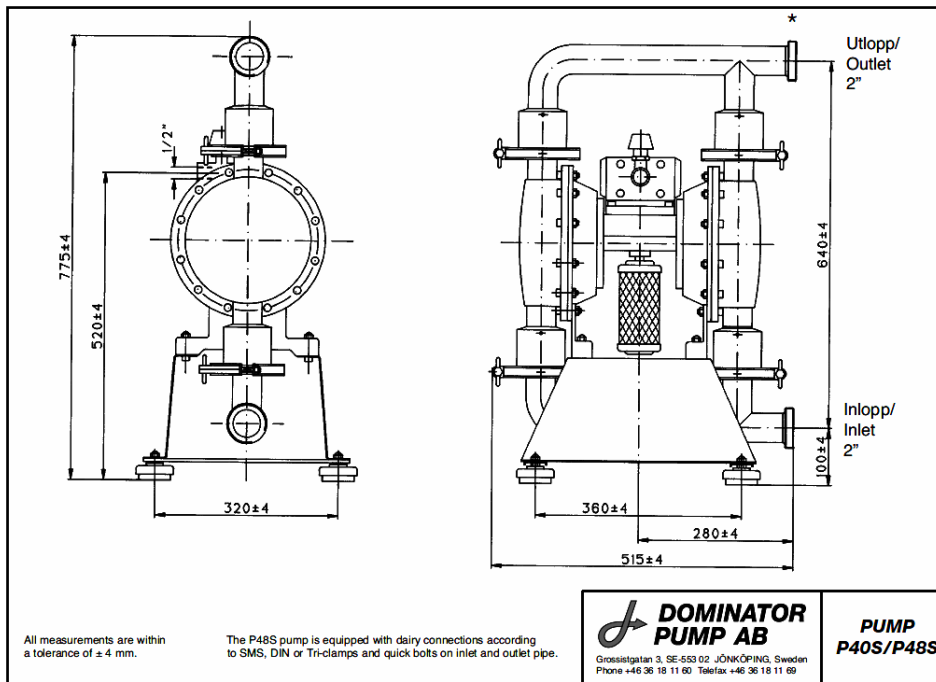
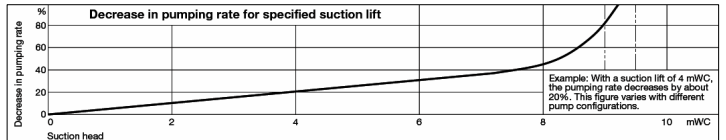
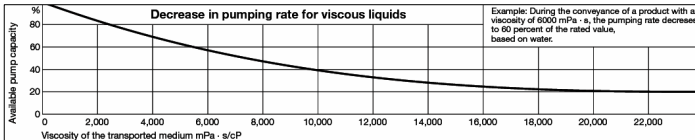
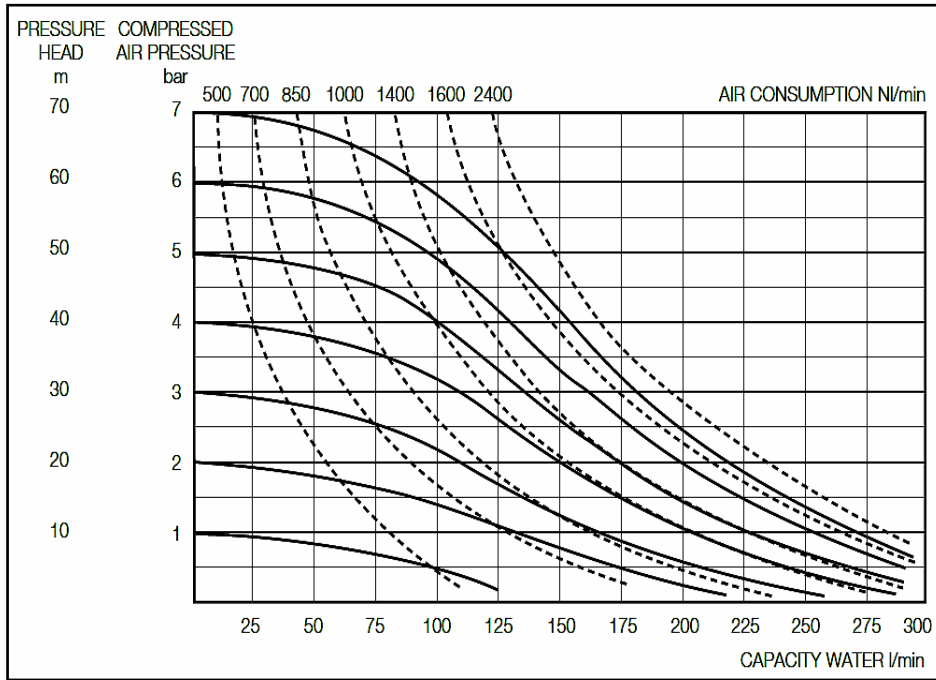
Wetted parts

Pump body: Polished Stainless Steel SIS 2343

Manifolds: Polished Stainless Steel SIS 2343



Datasheet P48 Series



All measurements are within a tolerance of ± 4 mm.

The P48S pump is equipped with dairy connections according to SMS, DIN or Tri-clamps and quick bolts on inlet and outlet pipe.