

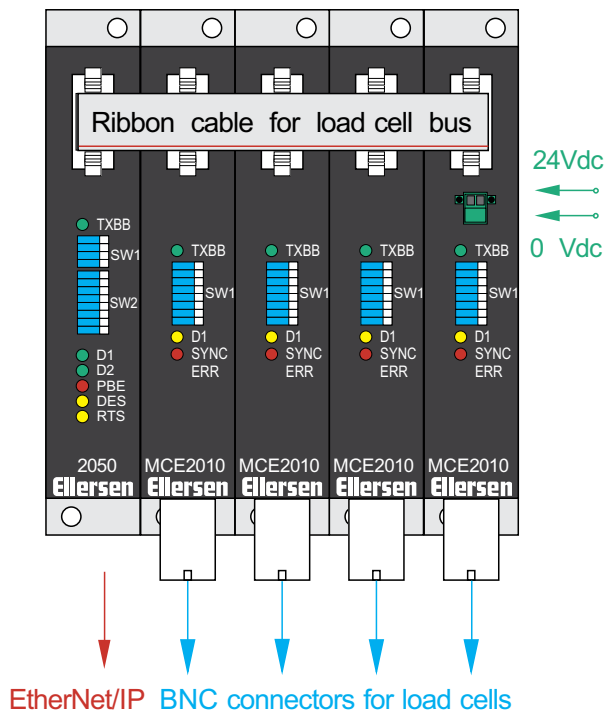
EtherNet/IP Output Module - Type 2050



EtherNet/IP Output Module

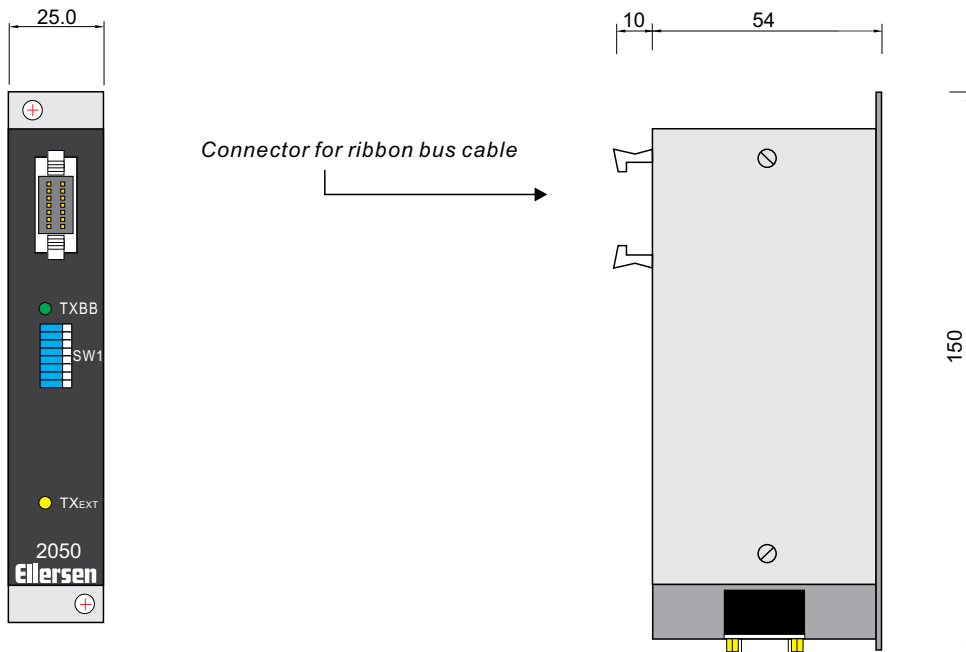
Special Features

EtherNet/IP communication module for interfacing Eilersen digital load cells to PCs, PLCs and other equipment. The module can be used for up to 8 digital load cells and transmits the weight and status for each individual load cell. The module offers plug-and-play installation with Eilersen pre-calibrated digital load cells. The module is supplied with an EDS file for easy installation. Application software can be made by request.



EtherNet/IP Output Module - Type 2050

Dimensions (mm)



Parameter	Unit	Data
Application		2000 generation load cells and modules
Power	Vdc	24Vdc +/- 20%, 2A
Temperature range	°C	-30 to +60
Humidity	%RH	90%RH
Communication Protocol		EtherNet/IP