

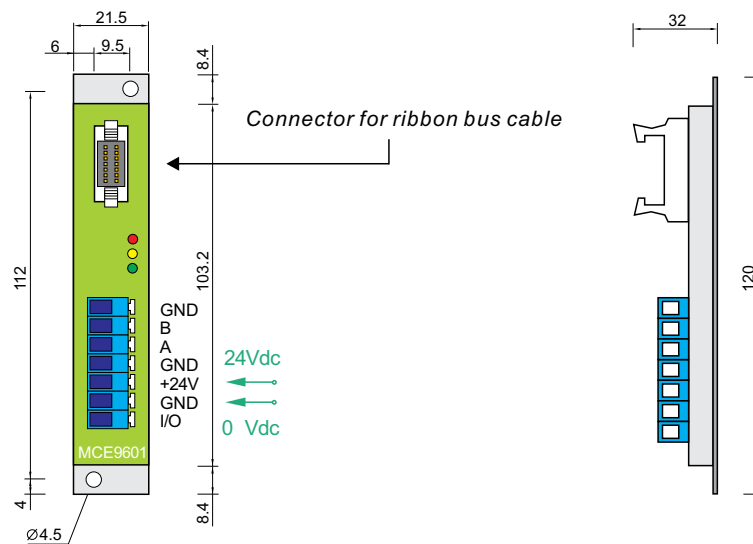
# Terminal Module - Type MCE9601



## Function

Connection between Eilersen digital load cell bus at one side and 24Vdc Power Supply and Eilersen digital weighing terminals on the other side.

## Dimensions (mm)



Parameter	Unit	Data
Application		2000 generation load cells and modules
Maximum number of load cells		16
Power Supply		24Vdc +/- 20%, 2A
Temperature Range	°C	-10 to +60