

Digital Web Tension Load Cell – Type SLCAD



Special Features

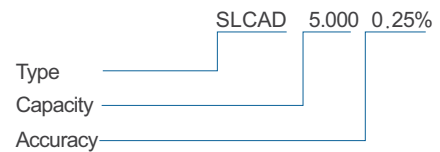
- Robust capacitive technology
- Patented high reliability capacitive sensor
- High tolerance of up to 1.000% overload
- Sealed to IP67
- Withstands welding voltages and ESD
- Cable length up to 100meters
- Pre-calibrated with signal in kg or N
- Calibration independent of cable length
- Easy mechanical and electrical installation



Applications

- Web tension control
- Offshore/Marine applications
- Tension measurement
- Force measurement

Order information

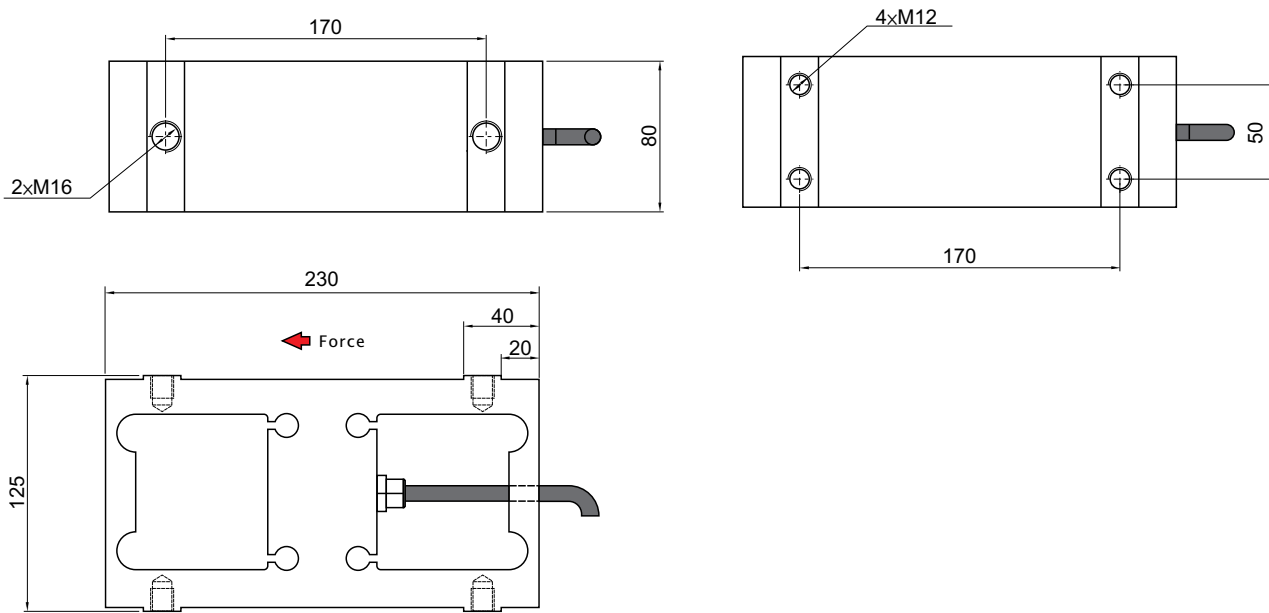


Options

- Free application software
- Type SLCAD-ST with extra safety and temperature range
- Customized versions available
- Load cell cable length 10, 20, 50 or 100meters

Digital Web Tension Load Cell - Type SLCAD

Dimensions (mm)



Parameter	Unit	0.25%
Rated capacity (E _{max})	N	200, 500, 1.000, 2.000, 5.000*
Safe overload limit	% of E _{max}	up to 1.000
Safe sideload limit	% of E _{max}	up to 1.000
Minimum dead load	% of E _{max}	0
Accuracy	% of E _{max}	0.25**
Repeatability	% of E _{max}	0.02
Hysteresis	% of E _{max}	0.04
Creep 30 min.	% of E _{max}	0.03
Compensated temperature range	°C	-10 to 50 (100***)
Operating temperature range	°C	-50 to 70 (100***)
Measuring rate	Hz	200
Supply	Vdc	24Vdc ±10%
Internal resolution	Bit	24
Material		Electroplated steel
Protection		IP67
Cable		6meter standard coaxial RG-58 (Ø6mm) with BNC connector
Maximum cable length	m	100
Weight	kg	9
Output options		Profibus DP, DeviceNet, Modbus ASCII/RTU, EtherCAT EtherNet/IP, RS232, RS485/422, 4-20mA, 0-10Vdc

* higher capacity available on request

** higher accuracy available on request

*** special version SLCAD-ST with Teflon cable